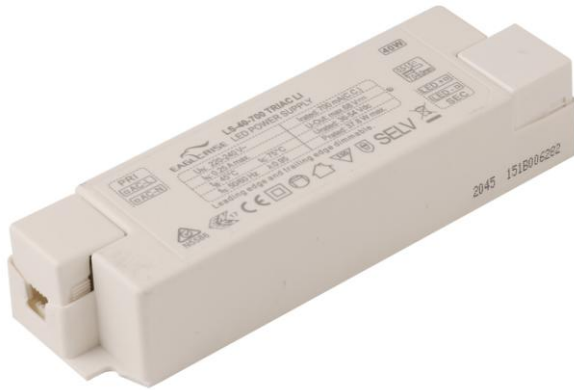


40W LED Driver Constant current

LS-40-XXX TRIAC LI



■ Approve



■ Features

- Class II, SELV, independent
- Input Voltage 220-240VAC
- Protections: SCP/OLP/OVP
- Power Factor 0.95 ± 0.05
- Efficiency $\geq 87\%$
- Support Leading edge & trailing edge dimmable
- 5 years warranty

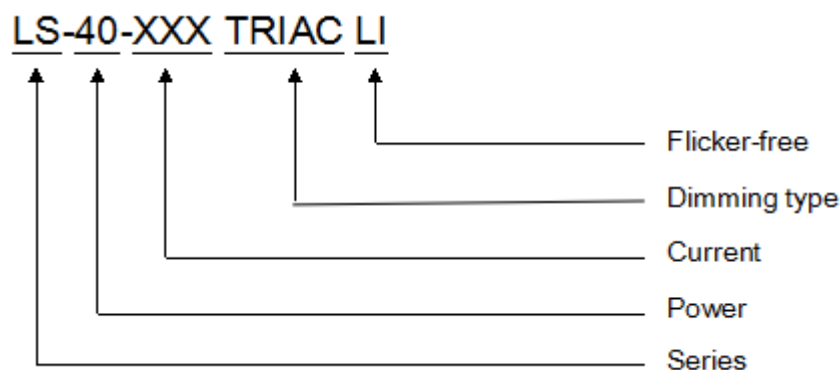
■ Applications(Typ.)

- LED panel
- LED pendant lights
- LED down lights

■ Description

LS-40-XXXX TRIAC LI is a 40W constant current LED driver that operates from 198-264Vac input with 600-1050mA output current. With it's compact dimensions from 150X45X30 mm it is easy to integrate in LED panel, pendant light and down light products. To ensure trouble-free operation, protection is provided against output short circuit and over Load.

■ Model code



40W LED Driver Constant current

LS-40-XXX TRIAC LI

■ Specification

Input	Rated input voltage	220-240Vac			
	Range of input voltage	198-264Vac			
	Frequency(Hz)	50/60 Hz			
	Power Factor	0.95±0.05@230Vac, full load			
	Input Current max	0.25A MAX. @Full Load,198Vac			
	Start-up time	< 0.5S			
	Unload Power Consumption	≤1W			
	Inrush Current	30A Max. /410µs@230V, Full Load , 50%Ipk-50%Ipk			
	THD	< 15% @Full Load,230VAC			
	Leakage Current	< 0.7mA(240VAC)			
Output	Constant Current Max. *Note.3	600mA	650mA	...	1050mA
	Unload voltage Max. (VDC)	82V	77V	...	53V
	Voltage Range(VDC)	44-67V	41-62V	...	27-40V
	Rated power	40.2W Max.	40.3W Max.	...	42W Max.
	Current Accuracy	±5%@220-240Vac			
	Voltage Regulation	±5% @Full Load, 220-240Vac			
	Load Regulation	±5%@220-240Vac			
	Hold-up Time	1s max.@Full Load			
	Ripple& Noise *Note.2	≤±3% @Full Load,230VAC			
	Output LF current ripple(<120Hz)	≤±3% @Full Load,230VAC			
	Efficiency(Typ.)	≥87%			
Dimming	Dimming mode	Triac , Leading edge & trailing edge dimmable			
	Dimming current range	10% ~ 100%			
Protection	Over Load Protection	103-120% Protection type: Auto Resume			
	Over Voltage Protection	>82VDC	>77VDC	...	> 53VDC
	Short circuit Protection	Protection type: Auto Resume			
Environment	Operating Temperature	-20°C...+45°C			
	tc	75°C			
	Storage Temperature	-20°C...+60°C			
	Life time	> 30,000h@ta=45°C			
	Humidity	20%-90%RH			
Others	Dimension	150X45X30(LXWXH)mm			
Safety & EMC	Safety standards	EN 61347-1; EN61347-2-13; EN62384			
	Withstand voltage	Input-output : 3750V/5mA/1min			
	Isolation resistance	Input-output : ≥4MΩ@500VDC			
	EMI	EN55015; EN61000-3-2 Class C; EN61000-3-3			
	EMS	EN 61547; EN 61000-4-2; EN 61000-4-5 —L-N: 1KV			
Note	1.All parameters NOT specially mentioned are measured at 230VAC input, full load and 25°C of ambient temperature. 2.Ripple & Noise are measured at 20MHz of bandwidth by using a 300mm twisted pair-wire terminated with a 0.1µF & 47 µF parallel capacitor. 3.Output current can be from 600mA to 1050mA and increasing in multiples of 50mA. Please see Model list below and contact EAGLERISE for details.				

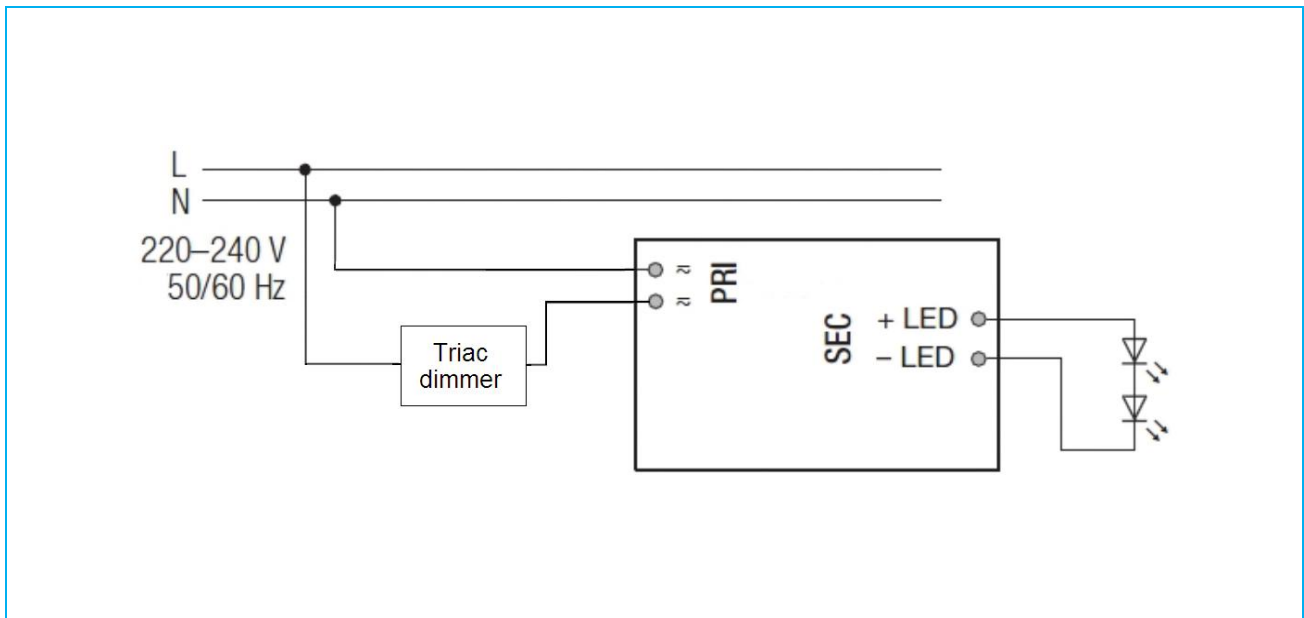
40W LED Driver Constant current

LS-40-XXX TRIAC LI

Model list

No	Model number	Input			Output			Max. Prated(W)
		Voltage (VAC)	Max.Current (A)	Frequency (Hz)	Constant current (mA)	Normal working voltage (VDC)	No load working voltage (VDC)	
1	LS-40-600 TRIAC LI	220-240	0.25	50/60	600	44-67	82	40.2
2	LS-40-650 TRIAC LI	220-240	0.25	50/60	650	41-62	77	40.3
3	LS-40-700 TRIAC LI	220-240	0.25	50/60	700	36-54	68	37.8
4	LS-40-750 TRIAC LI	220-240	0.25	50/60	750	35-53	66	39.8
5	LS-40-800 TRIAC LI	220-240	0.25	50/60	800	33-50	64	40.0
6	LS-40-850 TRIAC LI	220-240	0.25	50/60	850	31-47	62	40.0
7	LS-40-900 TRIAC LI	220-240	0.25	50/60	900	27-42	55	37.8
8	LS-40-950 TRIAC LI	220-240	0.25	50/60	950	27-42	55	39.9
9	LS-40-1000 TRIAC LI	220-240	0.25	50/60	1000	27-40	53	40.0
10	LS-40-1050 TRIAC LI	220-240	0.25	50/60	1050	27-40	53	42.0

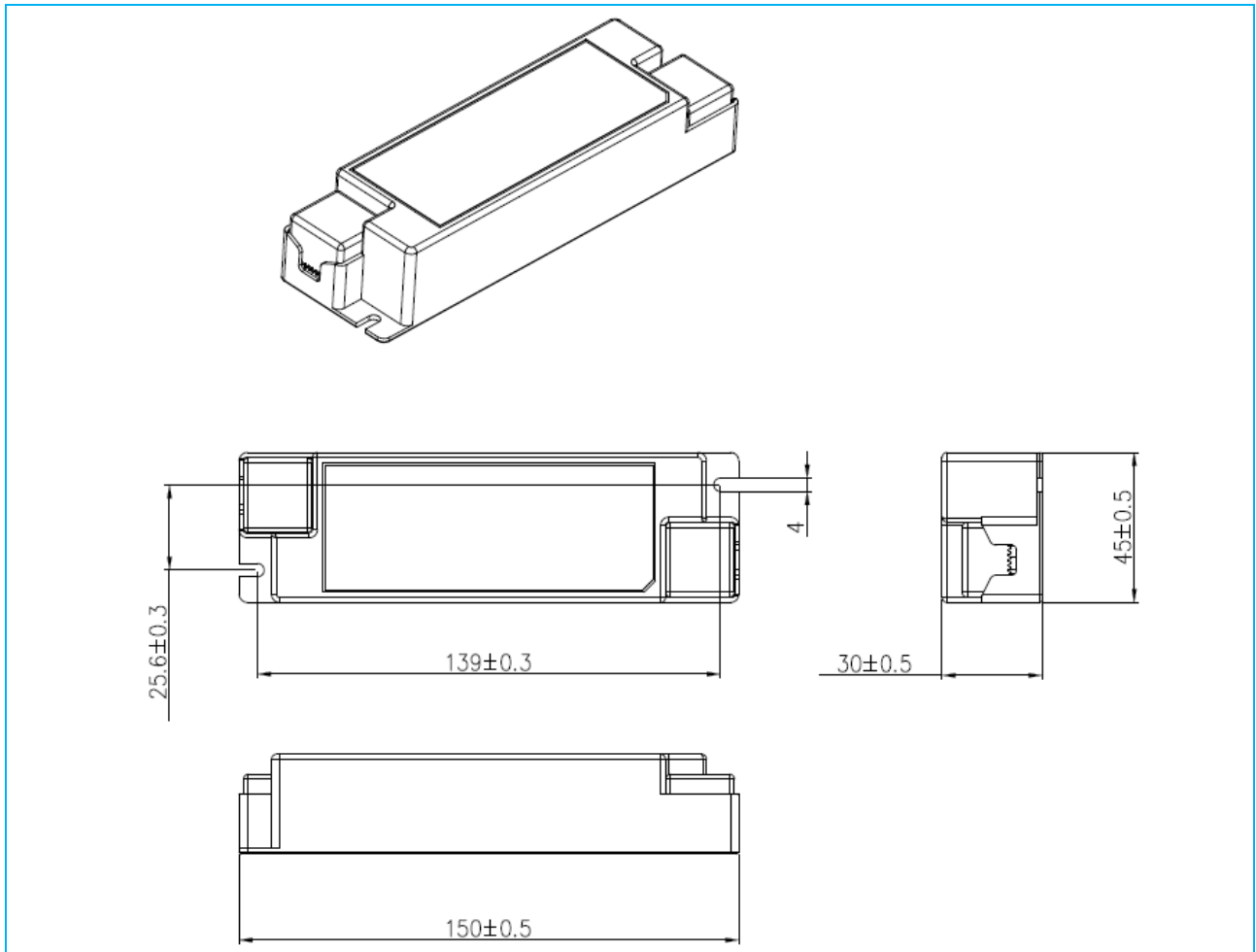
Wiring diagram



40W LED Driver Constant current

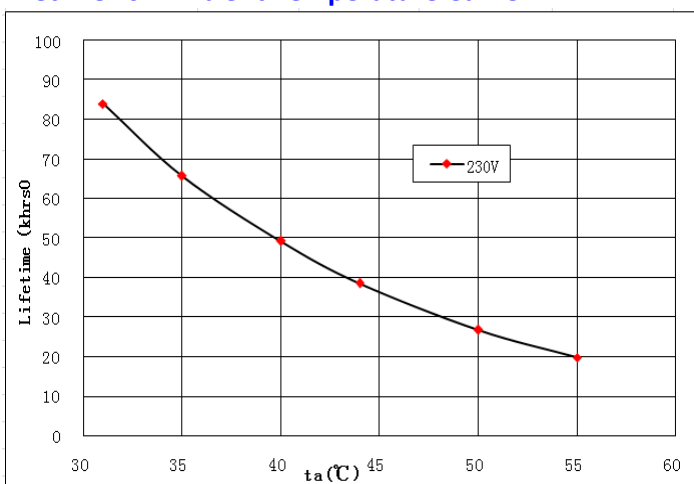
LS-40-XXX TRIAC LI

■ 2D diagram

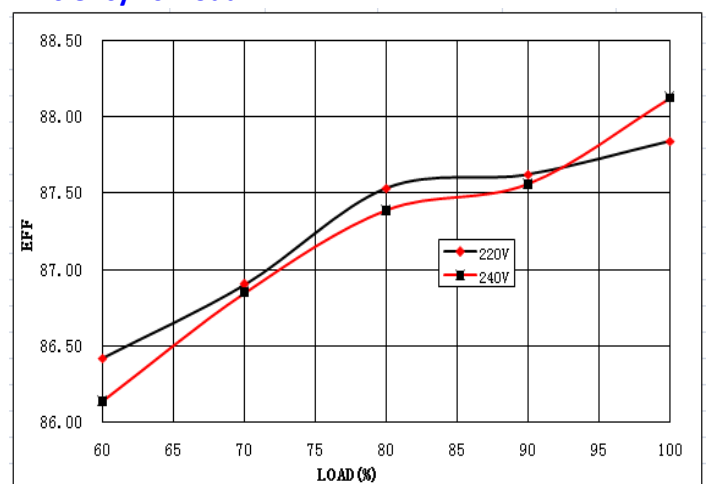


■ Curve for LS-40-1050 TRIAC LI

Lifetime vs. Ambient Temperature Curve



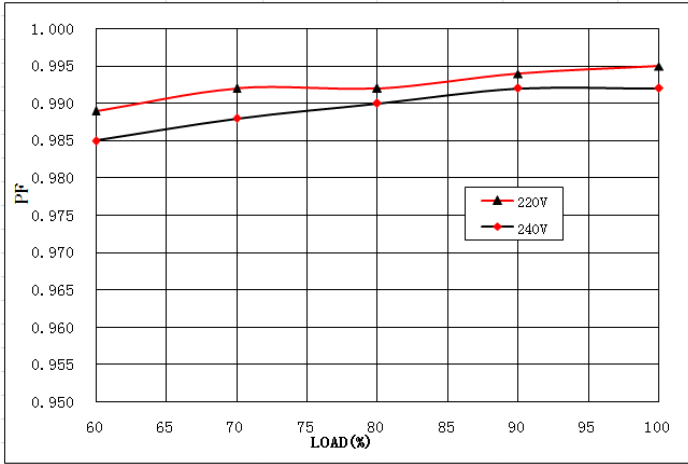
Efficiency vs. Load



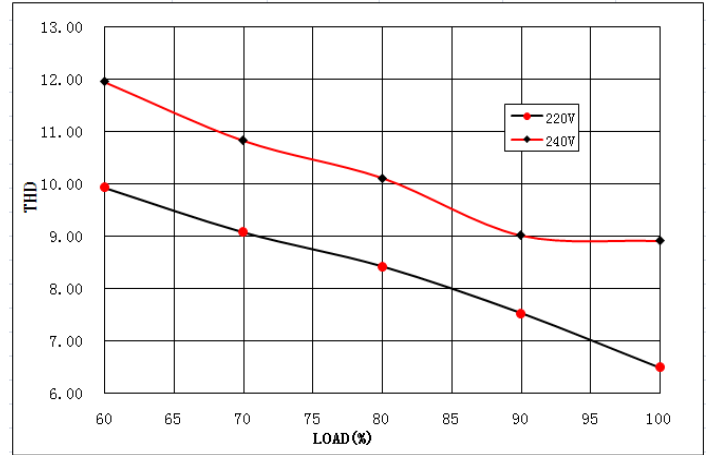
40W LED Driver Constant current

LS-40-XXX TRIAC LI

Power Factor Characteristics



THD vs. Load



Operating window

